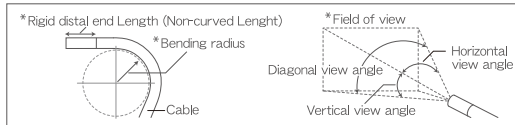


Specification comparison table

ARTICULATING NINJA-SCOPE		NINJA-SCOPE			NINJA-SCOPE S
		φ2.8mm	φ3.9mm	φ6.9mm	φ6.9mm
Insertion Tube	Length(meter/inch)	1.0m(39")	1.5m(59")/3.0m(118")	1.5(59")/3.0m(118")/5.0m(197")/8.0m(315")	1.5m(59")/3.0m(118")
	Exterior	Polyethylene resin	Stainless Steel Braid		Polyethylene resin
	Waterproof	Insertion Tube and Tip			
	Bending Radius	Over R25mm	Over R35mm	Over R45mm	
	Chemical Compatibility	Machine Oil, Heating Oil, Engine Oil, 3.5% Concentrated Saltwater, Diesel Fuel			
Options	Field of View (H/V)	70°/ 70°		72°/ 54°	
	F No.	F 5.3		F 6.0	
	Depth of Field	10mm ~ 40mm	15mm ~ ∞	20mm ~ ∞	
	Illumination Method	Optical Fiber	6 Super High-Intensity White LEDs	4 Super High-Intensity White LEDs	
Articulation	Articulation Angle	360° (over 90° in every direction) * φ6.9mm-8.0m has over 70° in every direction.			
	Articulation Control	Joystick with "Direct Control" Mechanism			
	Rigid Distal End Length	14mm	13mm	15mm	
LCD Monitor	3.5inch Color Digital TFT			2.4inch Color Digital TFT	
Observation Functions			2X Digital Zoom	-	
			Internal-Camera-Module Temperature Display	-	
			Temperature Alarm Display	-	
Gain Adjustment	Smart Gain Function at 5 Levels				
Still Capture / Record Function	Still Image Capturing				
			LED Flash Capturing (Still image)	-	
	Time-Lapse Recording and Video Recording			Video Recording	
Input / Output Terminal	Video Output	φ2.5mm Stereo Mini Jack for RCA Video Output (NTSC / PAL)			
	USB Output	Mini B Terminal Ver.2.0 Video Capture Output (Includes Driver / Viewer Software)			
Storage	Storage Media	MicroSD Card (Max. 2GB)			
	Still Image(JPEG)	400×400pixel	640×480pixel		
	Video Motion JPEG (AVI file extension)	400×400pixel 15 ~ 30fps	640×480pixel 15 ~ 30fps		
	Storage Capacity (with 1GB MicroSD Card)	Still Image : Max. 500 pictures / Movie Recording : Approx. 60 minutes (Normal Mode)/ Approx. 9 hours (Time-Lapse Mode)		Still Image : Max. 500 pictures / Movie Recording : Approx. 60 min.	
Playback Function	Still Image : Thumbnail 9-image Display / Full Screen Display / Video : Play, Pause				
Menu Operation	Image Adjustment (Brightness, Contrast, Hue, Sharpness)				
	Delete Stored Image				
	Time and Date Setting				
	Language : English / Japanese			-	
	USB Mass Storage			-	
	Time Stamp			-	
Operating Temperature(Insertion Tube)	In Air : -30°C~60°C (-22°F~140°F) (Without condensation)		In Air : -30°C~60°C (-22°F~140°F) (Without condensation) / In Liquid : 10°C~30°C (50°F~86°F)		
Power Supply	DC	DC 6V (Four AA alkaline batteries)			
	AC	AC Adapter (IN 100V~240V, OUT 6V / 2.5A)	AC Adapter (IN 100V~240V, OUT 6V/0.85A)		
Operating Time	Max. 1 hour (with four AA alkaline batteries)	Max. 1.5 hours (with four AA alkaline batteries)		Max. 2 hours (with four AA alkaline batteries)	
Weight	470g / 16.5oz (without batteries)	480g / 17oz (without batteries at 1.5m length)	570g / 20oz (without batteries at 1.5m length)	480g / 17oz (without batteries at 1.5m length)	
Carrying Case	480 x 390 x 160 (mm) Weight: 3.6kg / 7.9lbs				

*Specifications and design may be changed without a prior notice.



Optional items *Size is listed as "Diameter x Length".

90 Degree Side Viewer
 The 90 Degree Side Viewer enables to see the 90-degree angle. It can be attached on the tip of the insertion like a cap adapter.
 For φ6.9 mm : φ8.0 x 25 mm
 For φ3.9 mm : φ4.6 x 18 mm

Protective Caps (3 pcs/set)
 For φ6.9 mm : φ7.0 x 13 mm
 For φ3.9 mm : φ4.5 x 8 mm

Protective Tubes (3 pcs/set)
 For φ6.9 mm : 80 mm
 For φ3.9 mm : 80 mm

Manufacturer : RF Co.,Ltd.
TEL:1-800-383-3005 / FAX:1-800-799-9895
[URL] www.rfsystemlab.com/en
[Email] os@rfsystemlab.com
 Description of Business
 Medical Field: Direct Digital Radiography Imaging Sensors, Medical Video Scopes
 Dental Field: Digital Radiography Sensor, Intraoral Cameras
 Industrial Field: Digital Radiography NDT Systems, Industrial Video Borescopes
 Development of Capsule Endoscope and Disposable Video Endoscopes



THE NEXT GENERATION CAPSULE ENDOSCOPE

Sayaka



The first battery-free endoscopic capsule. 9mm in diameter, 23mm in length. Swallowed like a pill.

Osi_170417_R_ML_VJ3

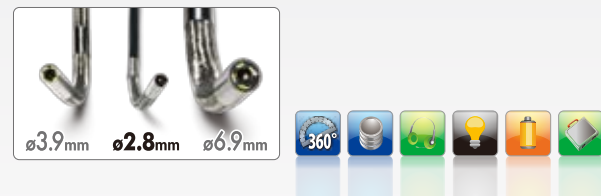


φ2.8mm/3.9mm/6.9mm
ARTICULATING NINJA-SCOPE



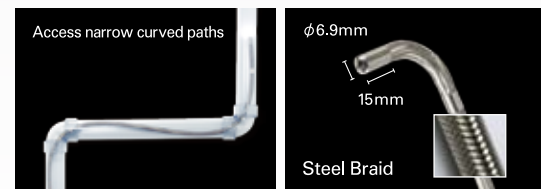
ARTICULATING NINJA-SCOPE

φ2.8mm/φ3.9mm/φ6.9mm



Highly Durable and Flexible Insertion Tube

The NINJA-SCOPE comes with a 2.8mm/3.9mm/6.9mm diameter steel-braided insertion tube and ultra-short, rigid tip section. The highly flexible and durable insertion tube can be easily navigated through narrow, curved paths. The steel-braided covering protects the insertion tube from rough or abrasive surfaces without compromising flexibility.



Joystick-Controlled, 360 Degree Articulation

The mechanized joystick uses the operator input to directly control camera articulation. The result is smooth and accurate control of the articulating tip, with immediate response to joystick inputs. This allows the camera tip to be steered through narrow bores, channels and complex curves. Additionally, the camera will hold its position even when joystick pressure is released. No other video borescope is easier to use.



Higher Operability and Durability

New steel-braided insertion tube delivers greater flexibility and durability. This all-in-one system combines the joystick-controlled, 360 degrees camera articulation with the on-board image and video capture capability.



Synchronized Strobe LEDs

φ2.8mm/φ3.9mm NINJA-SCOPE utilizes the synchronized strobe LEDs. The strobe is synchronized with the frame rate of the micro-camera and brings high-intensity light ever.



Outstanding Ease of Use

The NINJA-SCOPE is an all-in-one system that combines an articulating video borescope with an on-board imaging system. As you conduct an inspection, images and videos can be captured and saved directly to the built-in micro SD card with the click of your index finger. The intuitive control panel allows you to review stored images and videos on the built-in 3.5" LCD monitor.



ARTICULATING NINJA-SCOPE S

φ6.9mm



Easy "Viewing / Capturing / Recording"

The ergonomic handle design and location of key function controls facilitates one-handed operation. Use a trigger button to capture images, while your thumb controls LED brightness, video recording and camera articulation via the joystick. All images and video are stored on a MicroSD card in the base of the unit.



Temperature Sensor

A temperature sensor located on the tip of the insertion tube measures and displays the internal temperature of the camera module, and delivers a two-stage visual warning to the user when the temperature approaches a dangerously high level*. This warning system helps preventing damage to the scope from overheating of the camera and electronics.



*The sensor is not designed to measure the ambient temperature of the area being inspected.

Smart & Simple Model with "Viewing / Capturing / Recording"

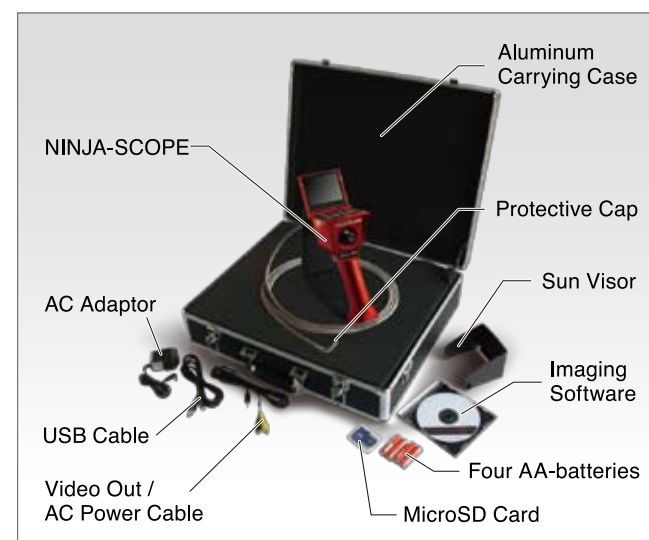


Integrated Design, Essential Features

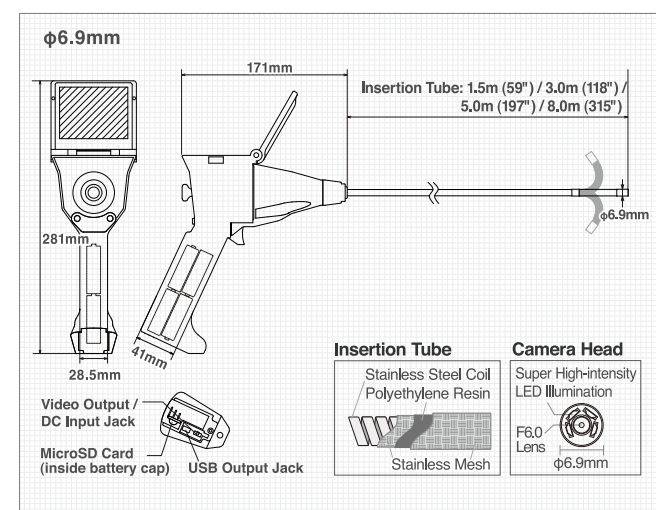
As the world's lightest and most compact video borescope, the NINJA-SCOPE S brings unrivaled portability and ease of use to engineers, technicians and inspection professionals. Weighing just 480g (17oz), and designed for one-handed operation, the NINJA-SCOPE S is the ideal tool for field inspections and working in confined spaces.



Packaged Items



Structural Drawing



*φ2.8mm/φ3.9mm drawings are available on our website.

Packaged Items



Structural Drawing

